



Single Black Gooseneck, A08410



Dual Chrome Gooseneck, A08500

Single and Dual Goosenecks

Obedient, incident illumination for space constrained applications.

Features

- Made with chrome plated semi-obedient metal or black plastic semi-rigid gooseneck tubing.
- The standard output ferrules accept spot lenses with or without polarizing caps. (See Accessories section of the product catalog for details).
- Model number A08575 is a dual focusing gooseneck that has permanently attached spot lenses. They are easily focused by turning the knurled lens barrel(s).
- Standard input accepts our Dichroic color filters, diffusers and fits ColdVision Series light sources.
- Custom configurations are available. Lead time is required
- Manufactured in the USA.

Advantages

- Precise positioning offers complete control of light placement.
- Gooseneck legs placed in opposing positions create near shadow-free illumination.
- Re-adjust with ease.
- Dual models illuminate workspace with a single light source.

Goosenecks					
Part No.	Tubing	Active Input Fiber Diameter	Distal Ferrule Diameter	Gooseneck Ferrule Diameter	Gooseneck Length
Single					
A08400	Chrome	.20" (5)	.393" (10)	.47" (12)	18" (457)
A08410	Black	.20" (5)	.393" (10)	.47" (12)	30" (762)
Dual					
A08500	Chrome	.30" (8)	.393" (10)	.47" (12)	18"(457)
A08575	Black	.30" (8)	.21" (5)	.47" (12)	23" (584)

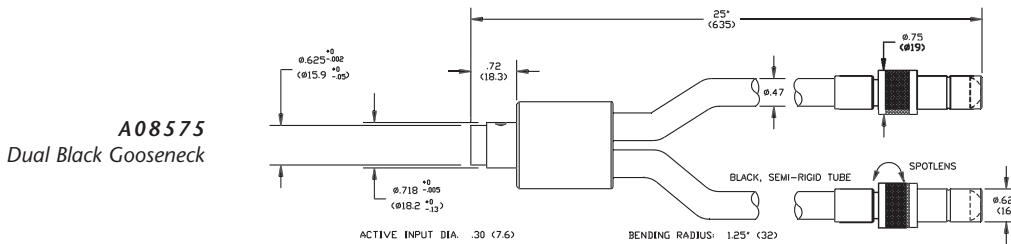
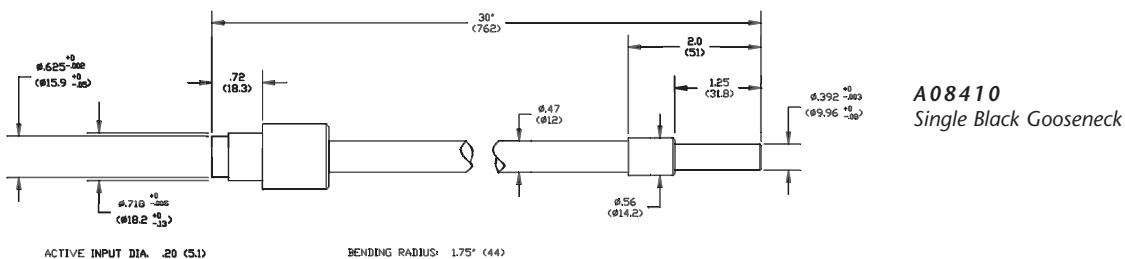
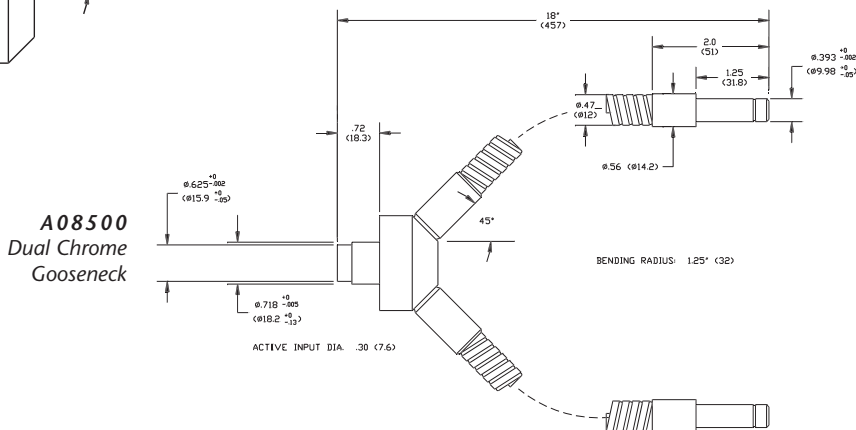
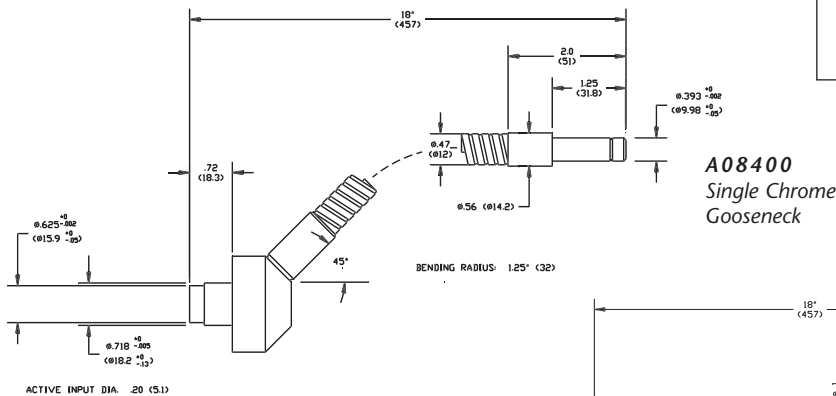
**Dimensions in () are in mm*

Single and Dual Goosenecks

Dimensions in () are in mm

Ringlight Input: Black Anodized Aluminum
Bundle Sheathing: Chrome or Black Decabon

Warning: This product is manufactured with glass fiber. Not for use in cable/hose carrier. Call SCHOTT to discuss moving cable/hose carrier applications.



Fiber Optics

SCHOTT North America, Inc.

62 Columbus Street

Auburn, NY 13021-3137

USA

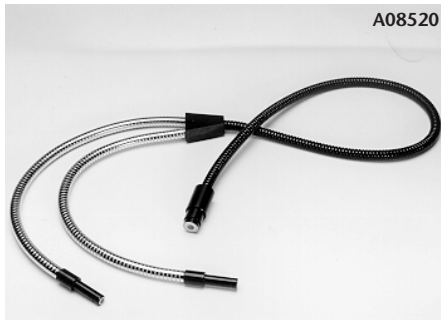
Phone: +1315/255-2791

Fax: +1315/255-2695

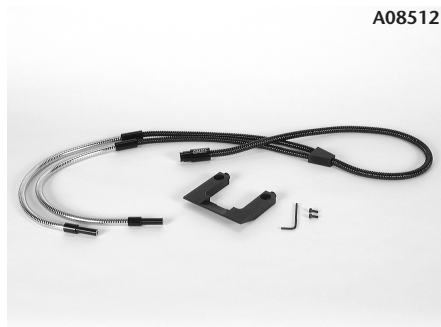
E-mail: fiberoptics.auburn@us.schott.com

www.us.schott.com/fiberoptics

SCHOTT



Combination Dual Gooseneck with Bundle, A08520



Combination Gooseneck, Bundle, and Bracket, A08512 for Olympus SZX Series Microscopes

Combination Goosenecks & Bundles

Obedient, incident illumination for space constrained applications.

Features

- The bundle sheathing is made of PVC covered metal tubing and the gooseneck is made of semi-obedient, chrome-plated metal gooseneck tubing.
- Bend radius of the chrome gooseneck tubing is 2-3" (51 - 76)*.
- The standard output ferrules accept spot lenses with or without polarizing caps. (See Accessories section of the product catalog for details.)
- Standard input accepts our Dichroic color filters, diffusers and fits ColdVision Series light sources.
- Custom configurations are available. Lead time is required.
- Manufactured in the USA.

Advantages

- Precise positioning of a spot of light.
- Gooseneck legs placed in opposing positions create shadow-free illumination.
- Re-adjust with ease.
- Dual models illuminate a workspace with a single light source.

Options

- Gooseneck bracket, A08521 was designed to hold dual flexible gooseneck, A08520, to the Nikon SMZ 645/660 Microscope. See Support Apparatus for Goosenecks and Bundles section in the product catalog.

Combination Goosenecks and Bundles						
Part No.	Active Input Fiber	Active Output Fiber Diameter	Bundle Tubing Diameter	Gooseneck Tubing Diameter	Bundle Length Diameter	Gooseneck Length
Combination Goosenecks and Bundle(s)						
A08510	.30" (8)*	.21" (5)	.47" (12)	.46" (12)	17" (432)	8.5"(216)
A08512	.30" (8)	.21" (5)	.47" (12)	.46" (12)	29" (737)	17"(432)
A08520	.30" (8)	.21" (5)	.47" (12)	.46" (12)	30" (762)	18"(457)
A08520.60	.30" (8)	.21" (5)	.47" (12)	.46" (12)	60" (1524)	18"(457)

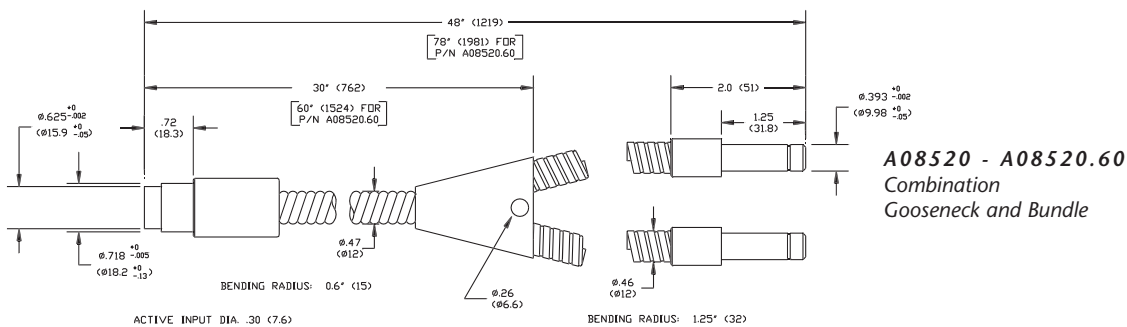
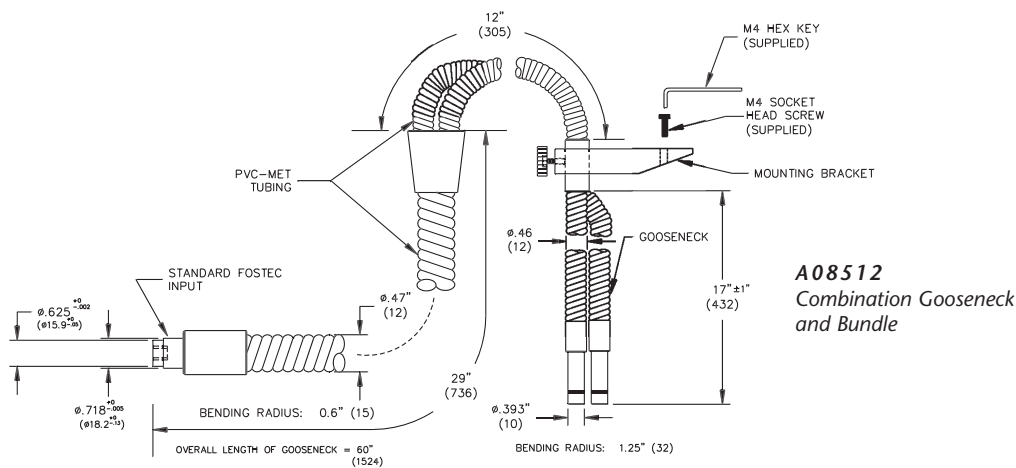
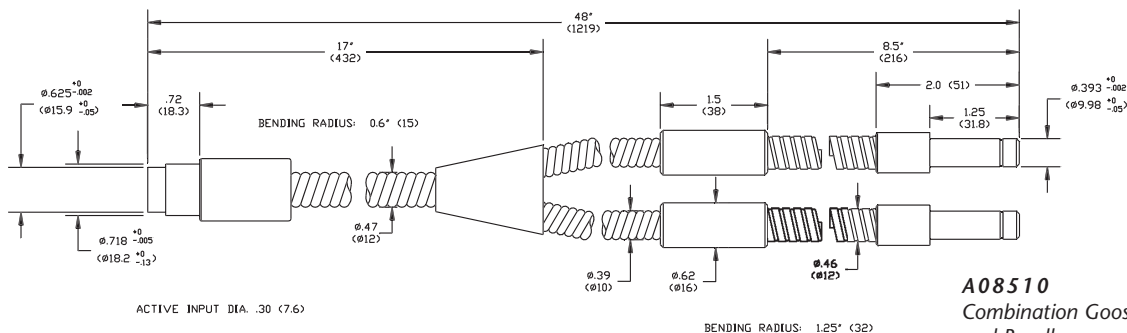
*Dimensions in () are in mm

Combination Goosenecks & Bundles

Dimensions in () are in mm

- Ringlight Input:** Black Anodized Aluminum
- Bundle Sheathing:** PVC Covered Metal Tubing
- Gooseneck Sheathing:** Chrome Plated Steel

Warning: This product is manufactured with glass fiber. Not for use in cable/hose carrier. Call SCHOTT to discuss moving cable/hose carrier applications.



Fiber Optics

SCHOTT North America, Inc.

62 Columbus Street

Auburn, NY 13021-3137

USA

Phone: +1315/255-2791

Fax: +1315/255-2695

E-mail: fiberoptics.auburn@us.schott.com

www.us.schott.com/fiberoptics

SCHOTT